

How the System Works

Flood sensors constantly monitor their selected areas for accumulating moisture. When a leak is detected, a sensor will send a radio frequency signal (RF) to the WaterCopPRO Integrated Water Control Panel, instructing it to close the Brass Valve, shutting off the water supply to the home. The WaterCopPRO Valve will remain closed until it is reset manually or through the Water Control Panel. The wireless sensors are battery powered devices, enabling them to be located anywhere a leak is likely to occur, or where water might cause damage. The WaterCopPRO Integrated Actuator is powered through the Water Control Panel, which requires household electrical power (common 115 VAC, grounded outlet) and will not operate during a power outage unless receiving auxiliary power from a backup device such as an uninterruptible power supply unit (UPS). Additionally, the use of a certified surge protection device is highly recommended.

Wireless Sensor: Power using 2 "AA" alkaline batteries or optional AC/DC power converter (sold separately). Batteries will provide backup power to sensors upon loss of electricity. Wireless sensors are addressable and supervised for conditions such as water detection, sensor short/open, and low battery. 10' sensor probe cord allows for optimal sensor placement. Wireless sensors can support single or dual sensor probes. Each WaterCop Control Panel can support up to 45 wireless sensors.

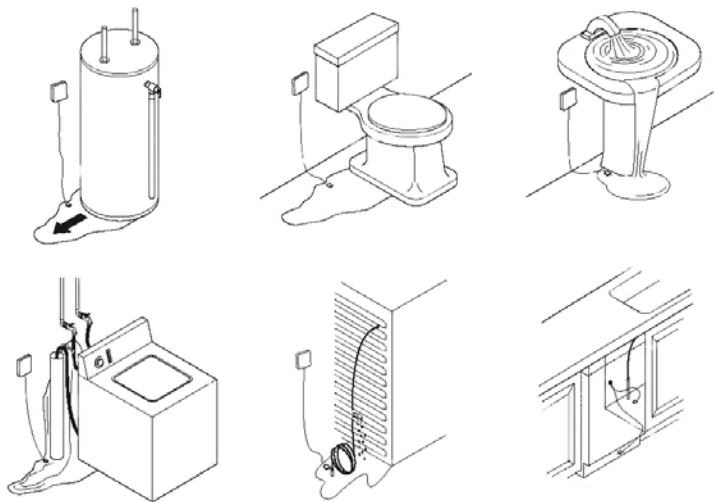
Range Enhancing Repeater: Enhances the transmission range of the wireless sensors. Plugs into any standard wall outlet. Receives and re-transmits sensor signals from outlying sensors to WaterCopPRO Integrated Water Control Panel.

Operating the WaterCopPRO Integrated System

The normal position of the valve is open to allow full flow throughout the plumbing system. The manual override handle on the top of the WaterCopPRO Integrated Actuator will show the position of the valve (in-line with the pipe means the valve is open; when the handle is not in-line it is not fully open; when it is perpendicular to the pipe, the valve is fully closed).

When leaking water comes into direct contact with a flood sensor's probe, an RF signal is transmitted to the Water Control Panel and the valve closes, turning off the water source to protect the building from additional water damage. The red indicator light will signal that the valve is now in the closed position. The valve will remain closed until the unit is manually reset (through the manual override handle or the "OPEN" button on the Water Control Panel). After the plumbing problem is fixed, reset the WaterCopPRO Integrated by pressing the **OPEN** (green circle) on the face of the Water Control Panel.

Suggested Locations



- Water Heaters
- Toilets
- Bathroom Sinks
- Washing Machines
- Automatic Humidifiers
- Dishwashers
- Kitchen Sinks
- Icemakers/Refrigerators
- Pipes that are prone to freezing (freeze sensors are also available)